

# CUPOLINA

T-3935

## suspension lamp

Date	Type
Project	
Location	
Model #	Quantity
Specifier	

### Description

Metallic suspension light with a soft-edged rectangular metal body, aluminium dome heads, acrylic lens diffusers and integrated dimmable LEDs.

Adjustable height.

Optional decorative sound absorbing panel with artificial greenery.



Pictures above might not show the specified dimensions or material. They are for illustration purposes only.


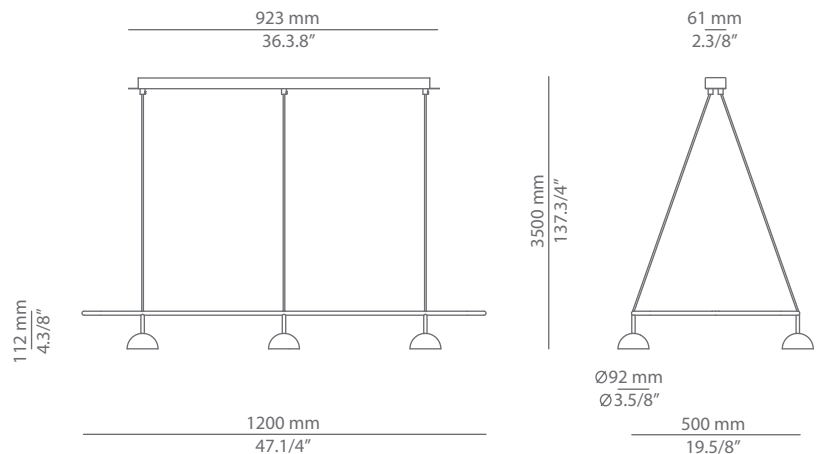


### Ordering information

Product Code	Lamp	Finish
T-3935	LED 6x6,2W (led included) (2700K / Ang 120° / >90 CRI / 350mA) 230V / Typ* 6x725 lumens Dimmable Triac	<ul style="list-style-type: none"> <li><span style="display: inline-block; width: 15px; height: 15px; background-color: #808080; margin-right: 5px;"></span> 26 BLK Black</li> <li><span style="display: inline-block; width: 15px; height: 15px; background-color: #d3d3d3; margin-right: 5px;"></span> 74 WH White</li> <li><span style="display: inline-block; width: 15px; height: 15px; background-color: #d3d3d3; margin-right: 5px;"></span> CUSTOM</li> </ul>

### Accessories

Code	Description
123935000	Sound absorbing panel with artificial greenery

## SPECIAL REQUIREMENTS

### Custom finishes and versions

We offer custom plated or RAL finishes and shades.

Alternate lamping and sizes available for projects. Consult our offices.

### Special instructions



ESTILUZ, S.A.  
Carretera d'Ogassa, s/n  
17860 Sant Joan de les Abadesses  
T+34 972 720 125  
F+34 972 720 796

estiluz@estiluz.com  
www.estiluz.com