



## CYLINDER®

SCONCE

THE CYLINDER SERIES IS A SYSTEM OF FIXTURES THAT ELEVATE THE EXPERIENCE OF FUNCTIONAL LIGHTING. AN ADJUSTABLE HEAD EXTEND FROM AN ELEGANT ARMATURE TO PROVIDE FUNCTIONAL LIGHT.

A P P A R A T U S

# CYLINDER®

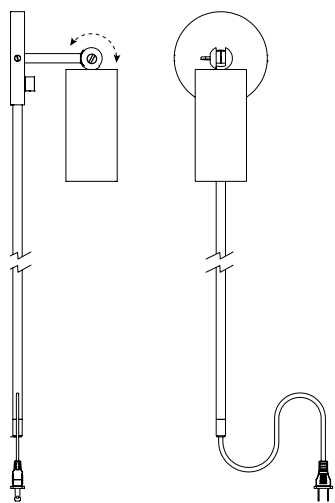
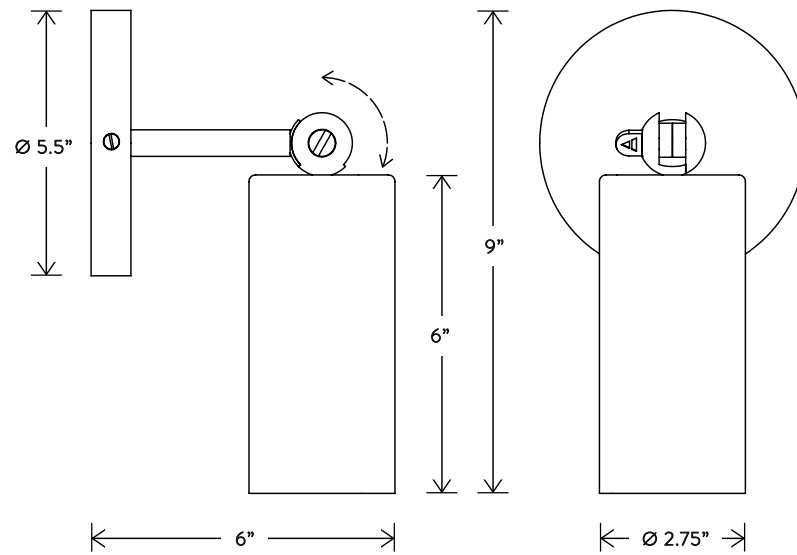
SCONCE

DIMENSIONS: 9" H, 5.5" W, 6" D  
APPROXIMATE WEIGHT: 5 LBS

120 V LAMPING:  
1 DIMMABLE LED PAR20 BULB 7W EACH  
7W 2700K BULB INCLUDED

240V LAMPING:  
1 DIMMABLE LED PAR20 BULB 5W EACH  
5W 2700K BULB INCLUDED

UL / CE APPROVED  
VOLTAGE: 120-240



EXTERNAL MOUNT KIT INCLUDES  
60" OF STEM

A P P A R A T U S



## CYLINDER<sup>®</sup> SWING ARM SCONCE

THE CYLINDER SERIES IS A SYSTEM OF FIXTURES THAT ELEVATE THE EXPERIENCE OF FUNCTIONAL LIGHTING. AN ADJUSTABLE PIVOTING HEAD AND ROTATING ARM PROVIDE FUNCTIONAL LIGHT WITH AN ELEGANT ARMATURE. BRASS TURN-DIMMER KNOB AND LEATHER COVERED COUNTERWEIGHT.

A P P A R A T U S

# CYLINDER<sup>®</sup> SWING ARM SCONCE

DIMENSIONS: 8" H, 5.5" W, 19" D

APPROXIMATE WEIGHT: 5 LBS

120 V LAMPING:

1 DIMMABLE LED PAR20 BULB 7W EACH

7W 2700K BULB INCLUDED

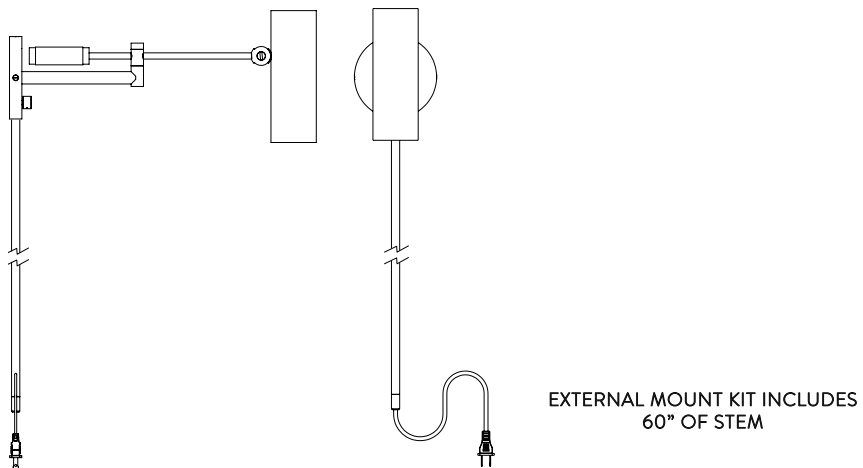
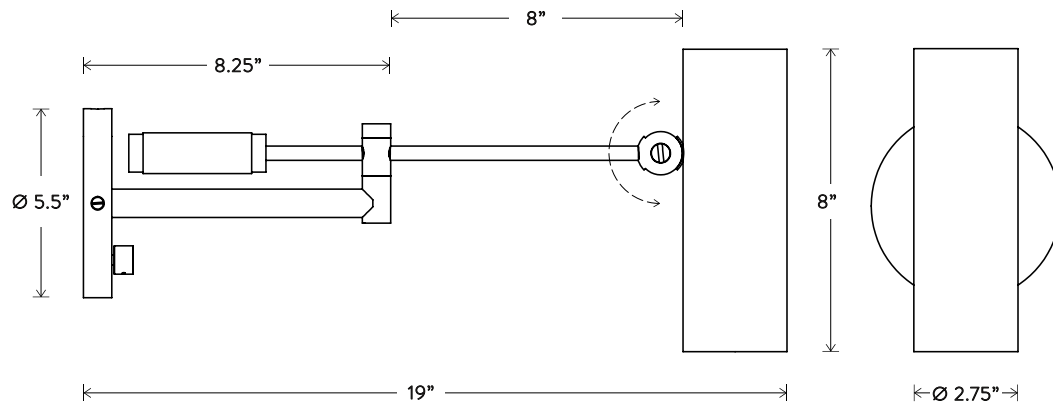
240V LAMPING:

1 DIMMABLE LED PAR20 BULB 5W EACH

5W 2700K BULB INCLUDED

UL / CE APPROVED

VOLTAGE: 120-240



A P P A R A T U S