

VOLTA T-3534S

surface suspension lamp

Date	Type
Project	
Location	
Model #	Quantity
Specifier	

Description

Suspension lamp with a curved metallic body, cylindrical aluminium heads and acrylic (PMMA) lens diffusers.
Adjustable height.
Possibility to create different compositions (see page 3).



Pictures above might not show the specified dimensions or material. They are for illustration purposes only.

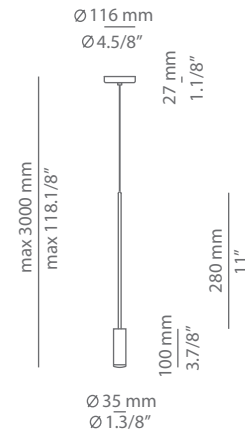


Ordering information

Code	Lamp	Canopy	Finish body	Finish head
■ T-3534S-W	LED 6,2W (led included) E (2700K / Ang 45° / >90 CRI / 350mA) 100V - 240V / Typ* 725 lumens / Non dimmable	■ 26 BLK Black ■ 71 WH White	■ 26 BLK Black ■ 71 WH White ■ CUSTOM	■ 26 BLK Black ■ 61 S GLD Satin Gold ■ 71 WH White ■ CUSTOM
■ T-3534S-M	LED 6,2W (led included) E (3000K / Ang 45° / >90 CRI / 350mA) 100V - 240V / Typ* 763 lumens / Non dimmable			

Product includes

Code	Description
113534XX0	1 surface canopy for 1 single pedant
T-3534C	1 Volta pendant
671000038	1 driver / Non dimmable



SPECIAL REQUIREMENTS

Custom versions

We offer custom plated or RAL finishes. Alternate lamping and sizes available for projects. Consult our offices.

Special instructions



ESTILUZ, S.A.
Carretera d'Ogassa, s/n
17860 Sant Joan de les Abadesses
T+34 972 720 125
F+34 972 720 796

estiluz@estiluz.com
www.estiluz.com

VOLTA T-3534R

recessed suspension lamp

Date	Type
Project	
Location	
Model #	Quantity
Specifier	

Description

Suspension lamp with a curved metallic body, cylindrical aluminium heads and acrylic (PMMA) lens diffusers.

Adjustable height. Possibility to create different compositions (see page 3). Recessed canopy and remote driver.

False ceiling for recessed canopy is required Ø 45mm drill.



Pictures above might not show the specified dimensions or material. They are for illustration purposes only.

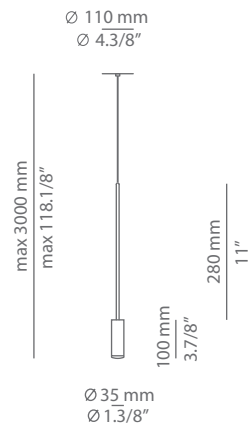


Ordering information

Code	Lamp	Canopy	Finish body	Finish head
T-3534R-W Ø 45mm drill on dropped ceiling	LED 6,2W (led included) (2700K / Ang 45° / >90 CRI / 350mA) 230V / Typ* 725 lumens / Dimmable Triac	26 BLK Black 71 WH White	26 BLK Black 71 WH White CUSTOM	26 BLK Black 61 S GLD Satin Gold 71 WH White CUSTOM
T-3534R-M Ø 45mm drill on dropped ceiling	LED 6,2W (led included) (3000K / Ang 45° / >90 CRI / 350mA) 230V / Typ* 763 lumens / Dimmable Triac			

Product includes

Code	Description
113534XX2	1 recessed canopy for 1 single pedant
T-3534C	1 Volta pendant
671000061	1 driver / Dimmable Triac



SPECIAL REQUIREMENTS

Custom versions

We offer custom plated or RAL finishes. Alternate lamping and sizes available for projects. Consult our offices.

Special instructions

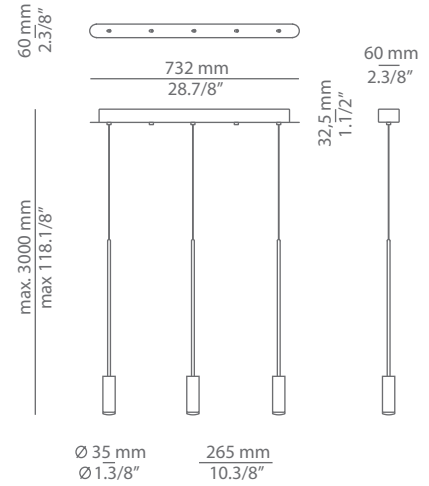
VOLTA T-3534C

linear surface compositions

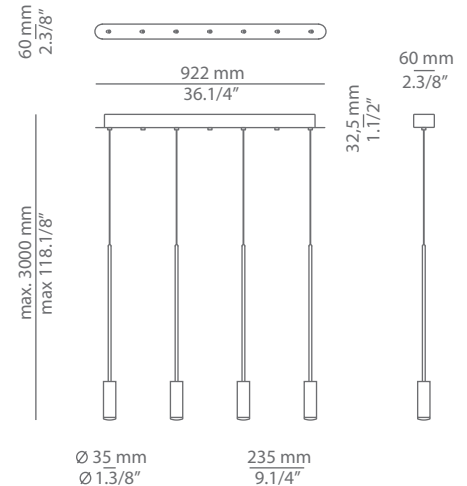
Date	Type
Project	
Location	
Model #	Quantity
Specifier	

Many possible configurations with T-3534C

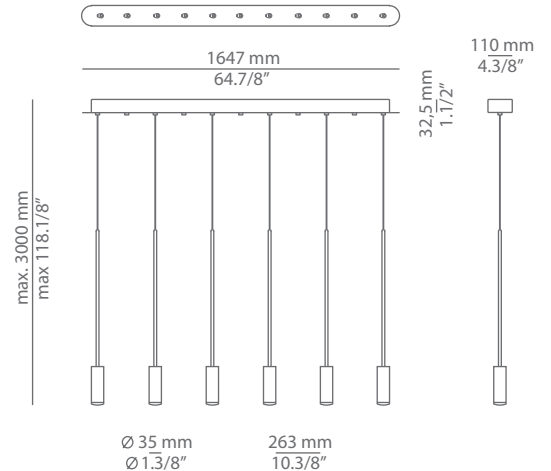
Code	Composition includes	Temperature															
L73S.3S	<ul style="list-style-type: none"> 1 linear canopy 113415XX1 3 units of T-3534C 1 driver 671000034 / Dimmable Triac Add up to 2 additional Volta 	<ul style="list-style-type: none"> T-3534C-W (2700K / 725 lumens) T-3534C-M (3000K / 763 lumens) 															
	<table border="1"> <thead> <tr> <th>Canopy</th> <th>Body</th> <th>Head</th> </tr> </thead> <tbody> <tr> <td>26 BLK Black</td> <td>26 BLK Black</td> <td>26 BLK Black</td> </tr> <tr> <td>71 WH White</td> <td></td> <td>61 S GLD Satin Gold</td> </tr> <tr> <td></td> <td>71 WH White</td> <td>71 WH White</td> </tr> <tr> <td></td> <td>CUSTOM</td> <td>CUSTOM</td> </tr> </tbody> </table>	Canopy	Body	Head	26 BLK Black	26 BLK Black	26 BLK Black	71 WH White		61 S GLD Satin Gold		71 WH White	71 WH White		CUSTOM	CUSTOM	
Canopy	Body	Head															
26 BLK Black	26 BLK Black	26 BLK Black															
71 WH White		61 S GLD Satin Gold															
	71 WH White	71 WH White															
	CUSTOM	CUSTOM															



Code	Composition includes	Temperature															
L92S.4S	<ul style="list-style-type: none"> 1 linear canopy 113415XX3 4 units of T-3534C 2 drivers 671000034 / Dimmable Triac Add up to 3 additional Volta 	<ul style="list-style-type: none"> T-3534C-W (2700K / 725 lumens) T-3534C-M (3000K / 763 lumens) 															
	<table border="1"> <thead> <tr> <th>Canopy</th> <th>Body</th> <th>Head</th> </tr> </thead> <tbody> <tr> <td>26 BLK Black</td> <td>26 BLK Black</td> <td>26 BLK Black</td> </tr> <tr> <td>71 WH White</td> <td></td> <td>61 S GLD Satin Gold</td> </tr> <tr> <td></td> <td>71 WH White</td> <td>71 WH White</td> </tr> <tr> <td></td> <td>CUSTOM</td> <td>CUSTOM</td> </tr> </tbody> </table>	Canopy	Body	Head	26 BLK Black	26 BLK Black	26 BLK Black	71 WH White		61 S GLD Satin Gold		71 WH White	71 WH White		CUSTOM	CUSTOM	
Canopy	Body	Head															
26 BLK Black	26 BLK Black	26 BLK Black															
71 WH White		61 S GLD Satin Gold															
	71 WH White	71 WH White															
	CUSTOM	CUSTOM															



Code	Composition includes	Temperature															
L165S.6S	<ul style="list-style-type: none"> 1 linear canopy 113415XX7 6 units of T-3534C 2 drivers 671000034 / Dimmable Triac Add additional Volta up to 5 	<ul style="list-style-type: none"> T-3534C-W (2700K / 725 lumens) T-3534C-M (3000K / 763 lumens) 															
	<table border="1"> <thead> <tr> <th>Canopy</th> <th>Body</th> <th>Head</th> </tr> </thead> <tbody> <tr> <td>26 BLK Black</td> <td>26 BLK Black</td> <td>26 BLK Black</td> </tr> <tr> <td>71 WH White</td> <td></td> <td>61 S GLD Satin Gold</td> </tr> <tr> <td></td> <td>71 WH White</td> <td>71 WH White</td> </tr> <tr> <td></td> <td>CUSTOM</td> <td>CUSTOM</td> </tr> </tbody> </table>	Canopy	Body	Head	26 BLK Black	26 BLK Black	26 BLK Black	71 WH White		61 S GLD Satin Gold		71 WH White	71 WH White		CUSTOM	CUSTOM	
Canopy	Body	Head															
26 BLK Black	26 BLK Black	26 BLK Black															
71 WH White		61 S GLD Satin Gold															
	71 WH White	71 WH White															
	CUSTOM	CUSTOM															

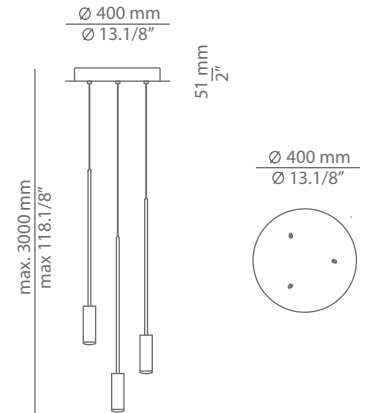


VOLTA T-3534C

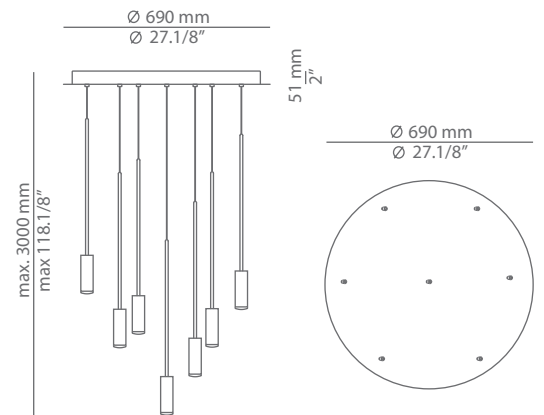
round surface compositions

Date	Type
Project	
Location	
Model #	Quantity
Specifier	

Code	Composition includes	Temperature															
■ R40S.3S	<ul style="list-style-type: none"> 1 round canopy 113415XX6 3 units of T-3534C 1 driver 671000034 / Dimmable Triac 	<ul style="list-style-type: none"> T-3534C-W (2700K / 725 lumens) T-3534C-M (3000K / 763 lumens) 															
	<table border="1"> <thead> <tr> <th>Canopy</th> <th>Body</th> <th>Head</th> </tr> </thead> <tbody> <tr> <td>■ 26 BLK Black</td> <td>■ 26 BLK Black</td> <td>■ 26 BLK Black</td> </tr> <tr> <td>■ 71 WH White</td> <td></td> <td>■ 61 S GLD Satin Gold</td> </tr> <tr> <td></td> <td>■ 71 WH White</td> <td>■ 71 WH White</td> </tr> <tr> <td></td> <td>■ CUSTOM</td> <td>■ CUSTOM</td> </tr> </tbody> </table>	Canopy	Body	Head	■ 26 BLK Black	■ 26 BLK Black	■ 26 BLK Black	■ 71 WH White		■ 61 S GLD Satin Gold		■ 71 WH White	■ 71 WH White		■ CUSTOM	■ CUSTOM	
Canopy	Body	Head															
■ 26 BLK Black	■ 26 BLK Black	■ 26 BLK Black															
■ 71 WH White		■ 61 S GLD Satin Gold															
	■ 71 WH White	■ 71 WH White															
	■ CUSTOM	■ CUSTOM															



Code	Composition includes	Temperature															
■ R70S.7S	<ul style="list-style-type: none"> 1 round canopy 113415XX4 7 units of T-3534C 3 drivers 671000034 / Dimmable Triac 	<ul style="list-style-type: none"> T-3534C-W (2700K / 725 lumens) T-3534C-M (3000K / 763 lumens) 															
	<table border="1"> <thead> <tr> <th>Canopy</th> <th>Body</th> <th>Head</th> </tr> </thead> <tbody> <tr> <td>■ 26 BLK Black</td> <td>■ 26 BLK Black</td> <td>■ 26 BLK Black</td> </tr> <tr> <td>■ 71 WH White</td> <td></td> <td>■ 61 S GLD Satin Gold</td> </tr> <tr> <td></td> <td>■ 71 WH White</td> <td>■ 71 WH White</td> </tr> <tr> <td></td> <td>■ CUSTOM</td> <td>■ CUSTOM</td> </tr> </tbody> </table>	Canopy	Body	Head	■ 26 BLK Black	■ 26 BLK Black	■ 26 BLK Black	■ 71 WH White		■ 61 S GLD Satin Gold		■ 71 WH White	■ 71 WH White		■ CUSTOM	■ CUSTOM	
Canopy	Body	Head															
■ 26 BLK Black	■ 26 BLK Black	■ 26 BLK Black															
■ 71 WH White		■ 61 S GLD Satin Gold															
	■ 71 WH White	■ 71 WH White															
	■ CUSTOM	■ CUSTOM															



Code	Composition includes	Temperature															
■ R100S.17S	<ul style="list-style-type: none"> 1 round canopy 113415XX5 17 units of T-3534C 6 drivers 671000034 / Dimmable Triac 	<ul style="list-style-type: none"> T-3534C-W (2700K / 725 lumens) T-3534C-M (3000K / 763 lumens) 															
	<table border="1"> <thead> <tr> <th>Canopy</th> <th>Body</th> <th>Head</th> </tr> </thead> <tbody> <tr> <td>■ 26 BLK Black</td> <td>■ 26 BLK Black</td> <td>■ 26 BLK Black</td> </tr> <tr> <td>■ 71 WH White</td> <td></td> <td>■ 61 S GLD Satin Gold</td> </tr> <tr> <td></td> <td>■ 71 WH White</td> <td>■ 71 WH White</td> </tr> <tr> <td></td> <td>■ CUSTOM</td> <td>■ CUSTOM</td> </tr> </tbody> </table>	Canopy	Body	Head	■ 26 BLK Black	■ 26 BLK Black	■ 26 BLK Black	■ 71 WH White		■ 61 S GLD Satin Gold		■ 71 WH White	■ 71 WH White		■ CUSTOM	■ CUSTOM	
Canopy	Body	Head															
■ 26 BLK Black	■ 26 BLK Black	■ 26 BLK Black															
■ 71 WH White		■ 61 S GLD Satin Gold															
	■ 71 WH White	■ 71 WH White															
	■ CUSTOM	■ CUSTOM															

